



⚠ For best results, carefully read these instructions before use.

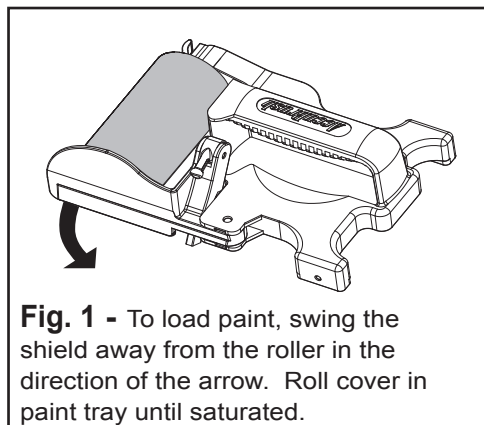


Fig. 1 - To load paint, swing the shield away from the roller in the direction of the arrow. Roll cover in paint tray until saturated.

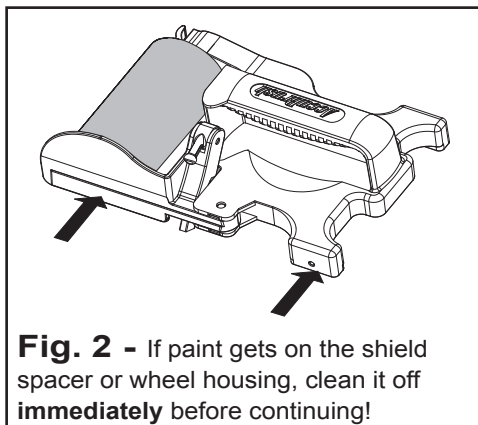


Fig. 2 - If paint gets on the shield spacer or wheel housing, clean it off **immediately** before continuing!

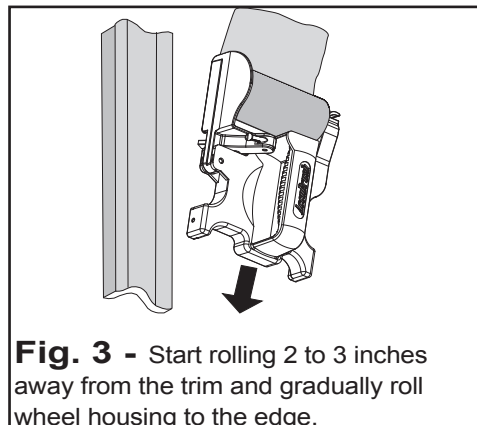


Fig. 3 - Start rolling 2 to 3 inches away from the trim and gradually roll wheel housing to the edge.

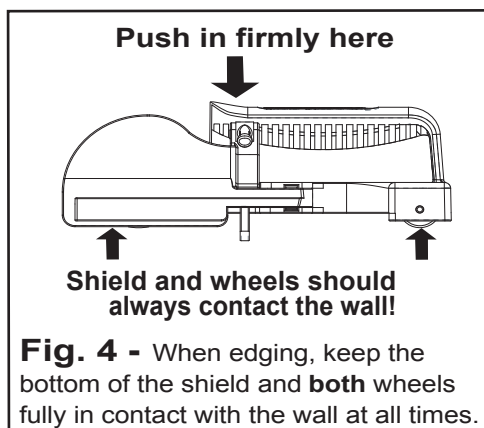


Fig. 4 - When edging, keep the bottom of the shield and **both** wheels fully in contact with the wall at all times.

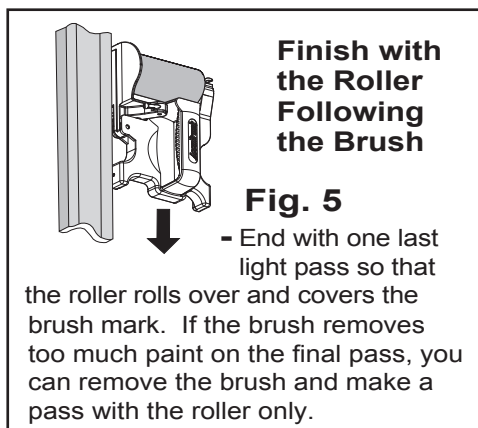
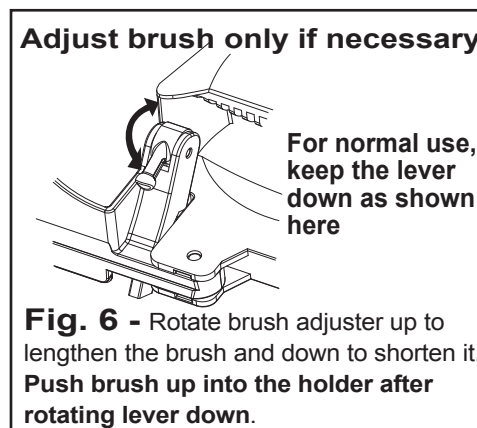


Fig. 5 - Finish with the Roller Following the Brush
- End with one last light pass so that the roller rolls over and covers the brush mark. If the brush removes too much paint on the final pass, you can remove the brush and make a pass with the roller only.



Adjust brush only if necessary
For normal use, keep the lever down as shown here
Fig. 6 - Rotate brush adjuster up to lengthen the brush and down to shorten it. Push brush up into the holder after rotating lever down.

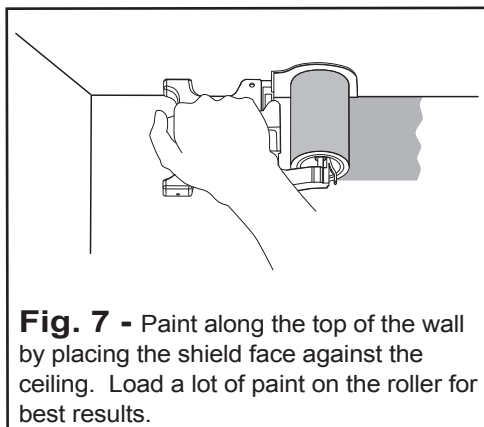


Fig. 7 - Paint along the top of the wall by placing the shield face against the ceiling. Load a lot of paint on the roller for best results.

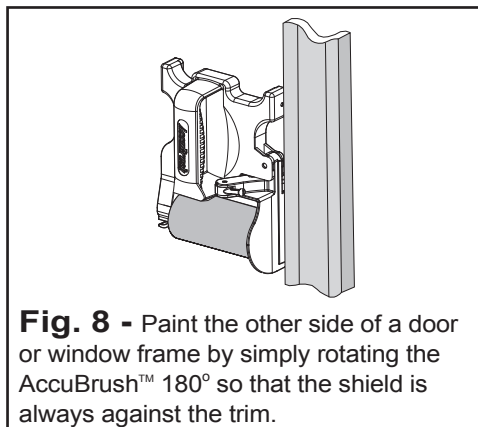


Fig. 8 - Paint the other side of a door or window frame by simply rotating the AccuBrush™ 180° so that the shield is always against the trim.

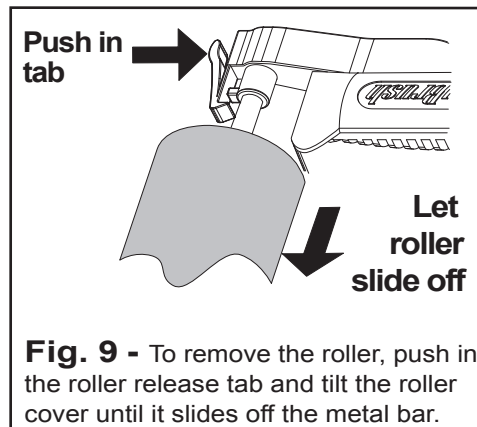


Fig. 9 - To remove the roller, push in the roller release tab and tilt the roller cover until it slides off the metal bar.

Tips:

- Immediately after edging an area, rotate the shield away and use the roller to blend the paint line with the wall.
- Avoid short choppy strokes when edging. Use longer edging strokes of one foot or more.
- Load a lot of paint on the roller when edging along the ceiling and less paint when edging along a baseboard.
- Do not use the AccuBrush™ for edging above baseboards whose top edge is less than 1/4" thick.
- For best results, caulk all edges with paintable latex caulk to eliminate all cracks and gaps before painting with the edger.
- Thin the paint slightly if the paint starts getting thick (usually after a couple hours of being poured out of the can).
- If you will not be using the AccuBrush™ for more than 15 minutes, remove the brush and store it in a small container of water, or other suitable solvent so that it will not dry out.
- Periodically remove the paint that builds up on the brush and under the shield spacer.

1 year limited warranty. This warranty covers freedom from defects in material and workmanship when used properly in the specified manner for which it is intended. Any part which is defective or develops defects under normal use will be repaired or replaced with an equivalent unit without cost. See our website at www.accubrush.com for more information.

Visit us at www.accubrush.com for more information on this and other great products. Use only AccuBrush™ replacement parts.